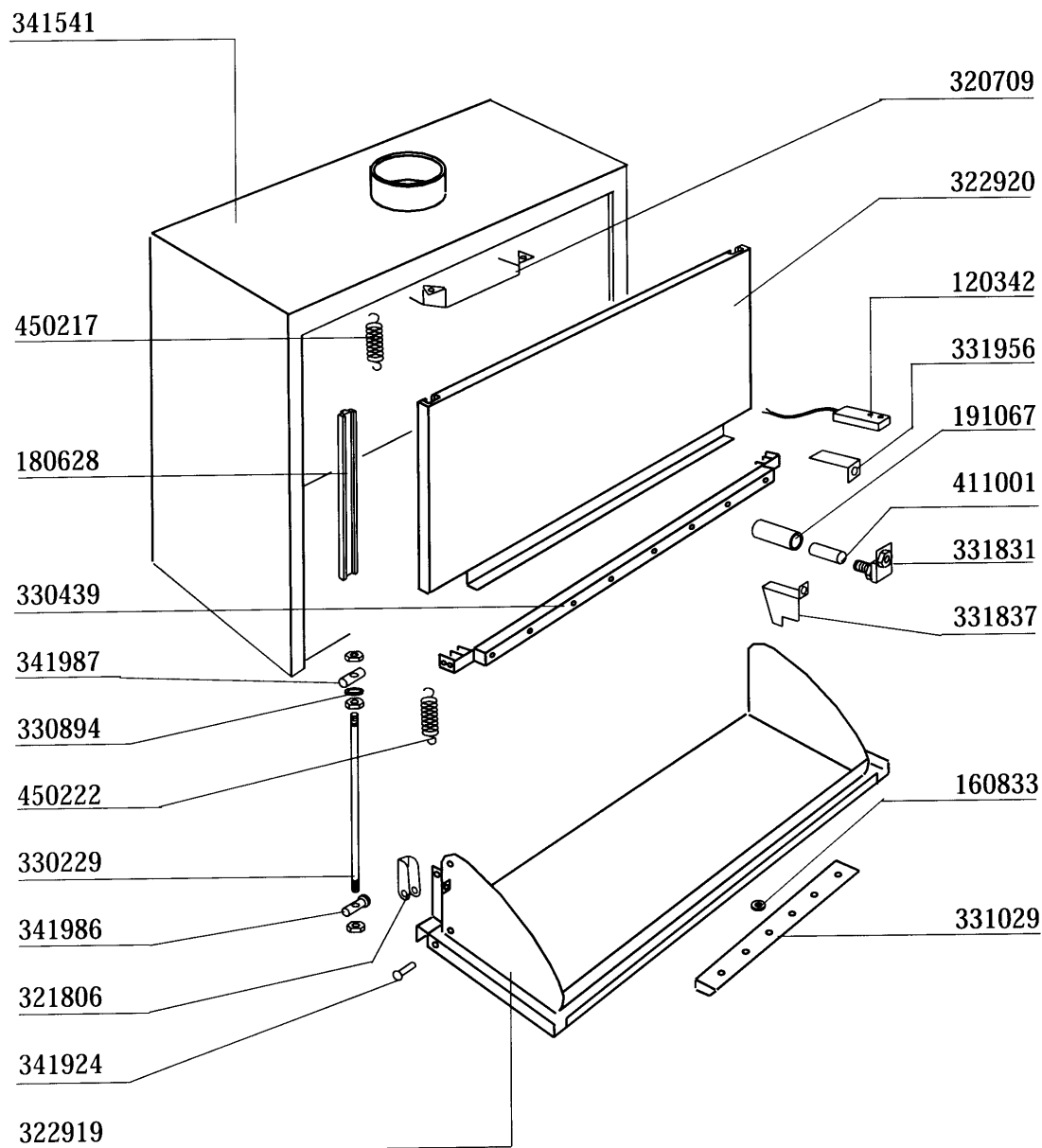


G 50 L	G 50 LM	G 60 L	G 65 L	G 75 L	G 100 L	G 115 L	G 125 L

06 - 1999 F.A.

2 - Hood

CODE	DESCRIPTION
210404	BLACK RUBBER FOOT S90 NE SE
350354	PANEL
351327	LEFT PANEL
351328	RIGHT PANEL
351514	FRONT PANEL
351537	FRONT PANEL G115/125L
391262	FRAME
620222	COMPLETE ALUMINIUM LEGS



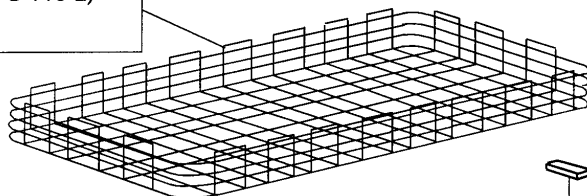
G 50 L	G 50 LM	G 60 L	G 65 L	G 75 L	G 100 L	G 115 L	G 125 L

06 - 1999 F.A.

3 - Hood

CODE	DESCRIPTION
120342	DOR MAGNETIC SWITCH
160833	GASKET 17X8,4 TH 0,75 TEFL
180628	DOOR RAIL FOR G60-65L
191067	MAGNET PROTECTION FOR GL
320709	SPLASH GUARD G65-115
321806	DOOR HINGE G60-65L
322919	LOWER DOOR G115L
322920	UPPER DOOR G115L
330229	TIE ROD DOOR GL
330439	SPLASH GUARD G115L
330894	SPACER
331029	HANDLE G65L-G115L
331831	BRACKET
331837	BRACKET
331956	DOOR MICRO SWITCH BRACKET
341541	HOOD G115L
341924	PIN
341986	"GL"-DOOR PIN
341987	PIN FOR DOOR
411001	PERMANENT MAGNET 8X40
450217	SPRING F.DOOR G65/115
450222	LOWER DOOR SPRING FOR GL

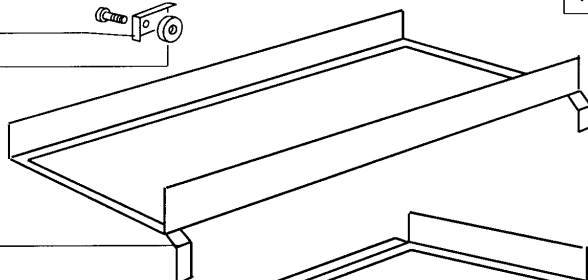
530227 (G 100 L - G 115 L)
530223 (G 125 L)



321147 (G 125 L)
170337 (G 125 L)

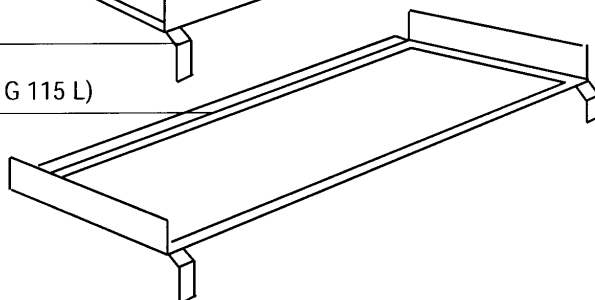


160532 (G 100 L - G 115 L)

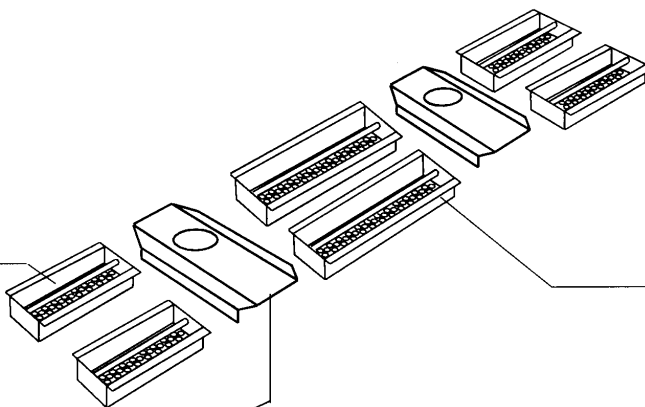


322161 (G 125 L)

322160 (G 100 L - G 115 L)



332016



332017

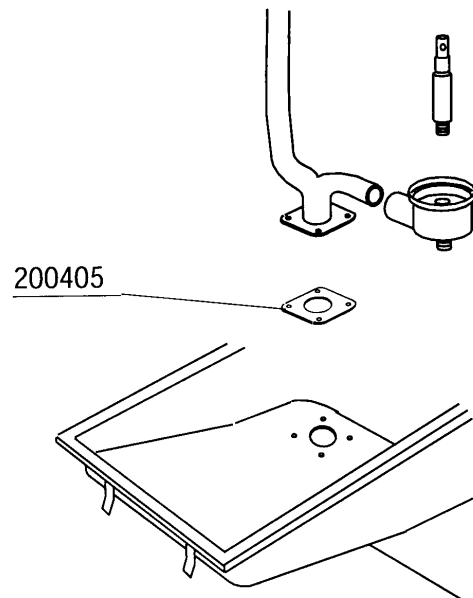
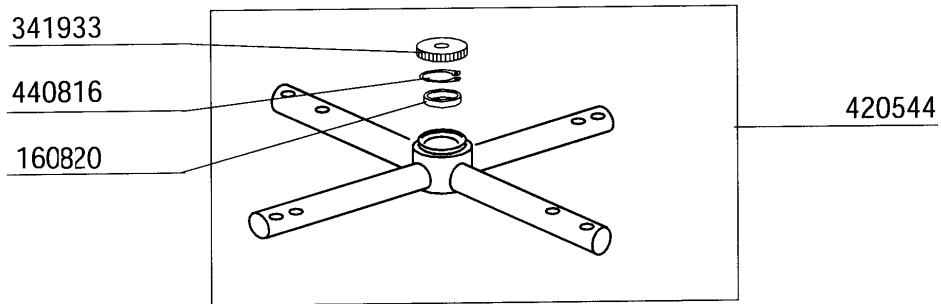
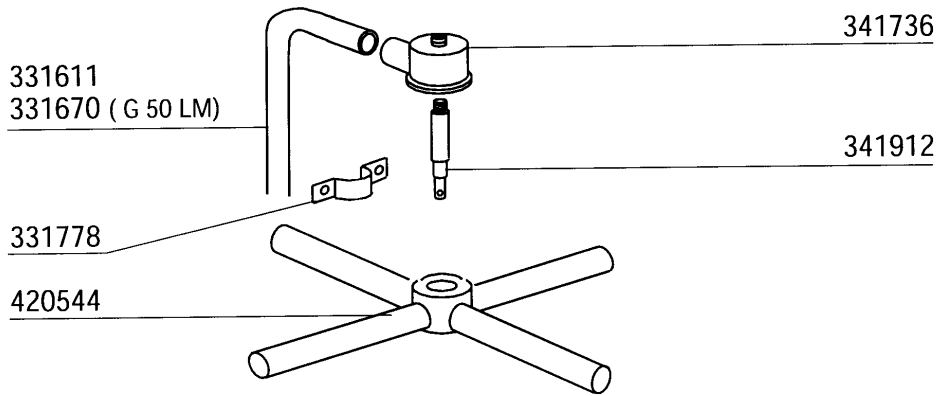
330454 (G 115 L - G 125 L)
330455 (G 100 L)

1 - 7 - 98 F.A.

G 50 L	G 50 LM	G 60 L	G 65 L	G 75 L	G 100 L	G 115 L	G 125 L

4 - Rack and strainers

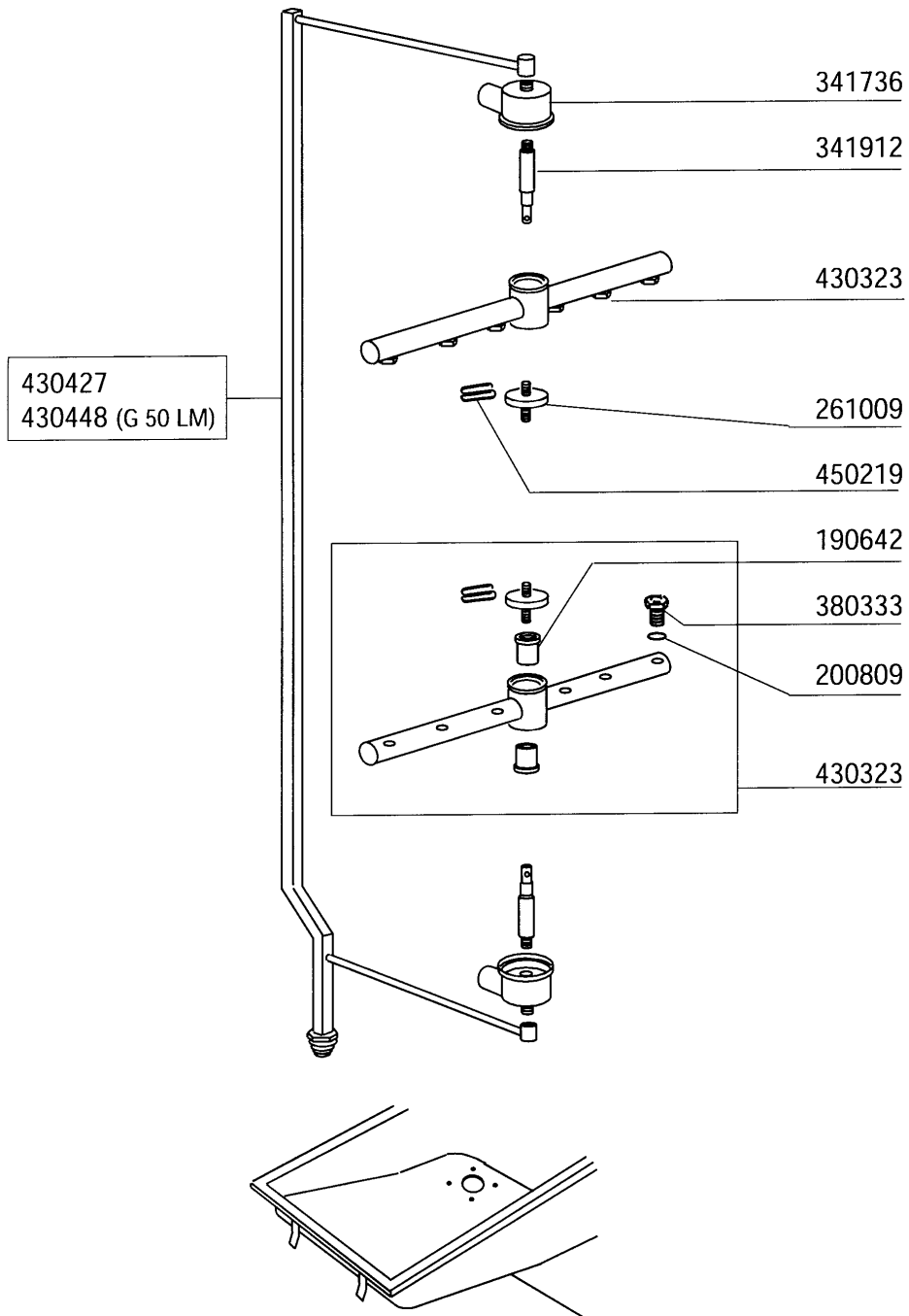
CODE	DESCRIPTION
160532	SLIDING BLOCK FOR G75 RACK
170337	WHEEL FOR G125 RACK
321147	COVER
322160	GUIDE
322161	GUIDE
330454	CENTRAL SUPPORT FOR FILTERS GL
330455	CENTRAL SUPP.F.FILTERS G60/70/
332016	TANK FILTER G65L-G115L
332017	TANK FILTER G115L-G125L
530223	RACK 1320X700 G115L-125L
530227	RACK 1320X700 G115L-100L

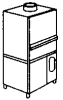
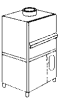


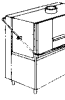


G 50 L	G 50 LM	G 60 L	G 65 L	G 75 L	G 100 L	G 115 L	G 125 L

5 - Wash Column

CODE	DESCRIPTION
160820	WASHER 47,5X25X11 G66-131
200405	GASKET 110X100X63 IN NEOTEN
331611	WASH COLUMN GL
331670	WASH ASSEMBLY G50L
331778	BRACKET FOR WASH COLUMN
341736	WASH ARM SUPPORT
341912	SPINDLE FOR GL WASH ARM
341933	NUT FOR WASH ARM GL
420544	WASH ARM GL
440816	STAINL.ST.SEAL. RING D.48 UNI3

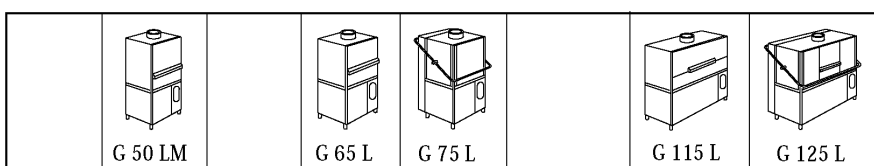
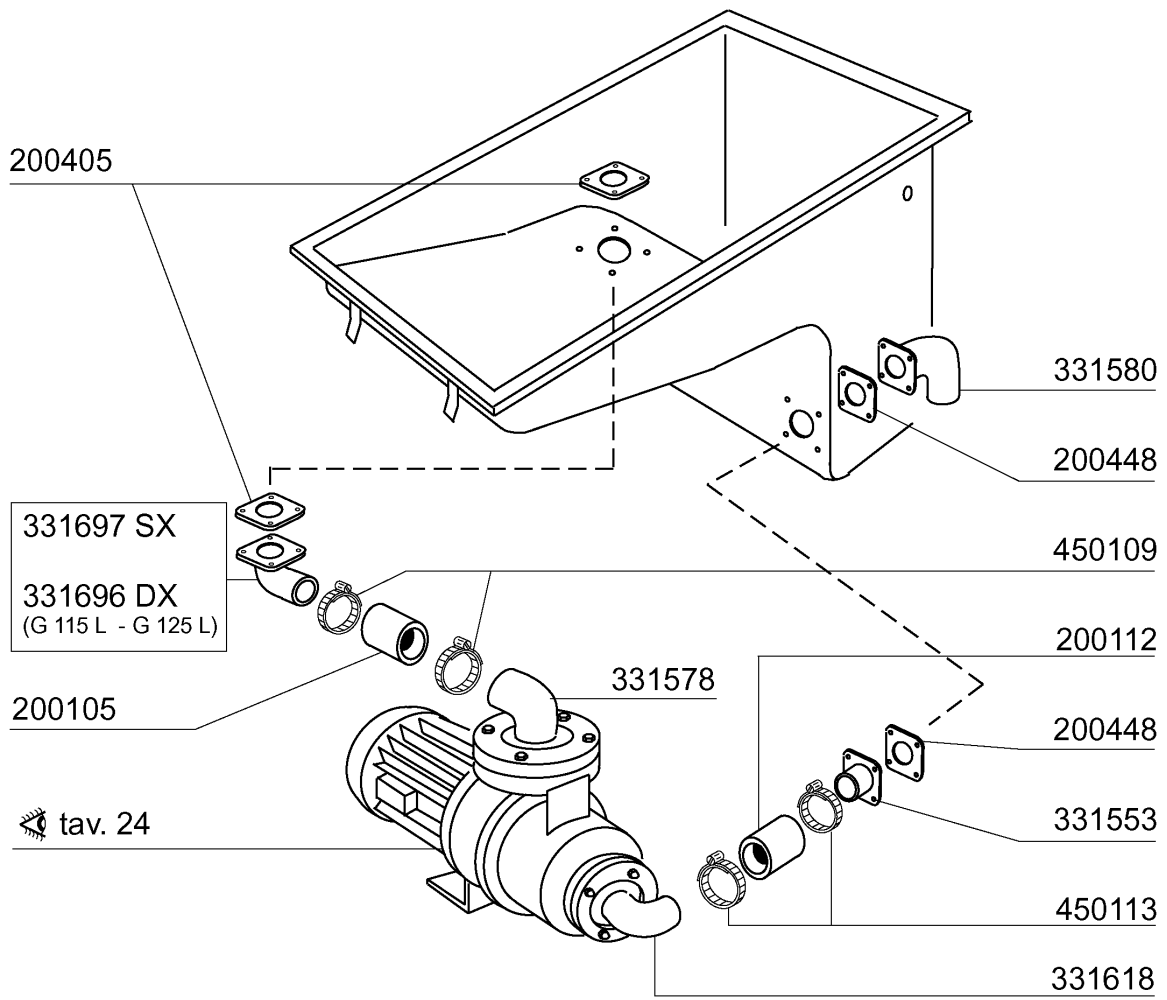


							
G 50 L	G 50 LM	G 60 L	G 65 L	G 75 L	G 100 L	G 115 L	G 125 L

1 - 7 - 98 F.A.

6 - Rinse arm

CODE	DESCRIPTION
190642	BUSH FOR S/S RINSE ARM "G"
200809	OR GASKET 1,78X8,73X12,29
261009	RETAIN.SCREW FOR WASH-RINSE AR
341736	WASH ARM SUPPORT
341912	SPINDLE FOR GL WASH ARM
380333	S/S JET OV120 80LT 1/8"
430323	RINSE ARM GL65-75-115-125
430427	RINSE COLUMN GL
430448	RINSE COLUMN G50L
450219	SPRING F.RINSE ARM RETAIN.SCRE



02 - 2002 | S. AG.

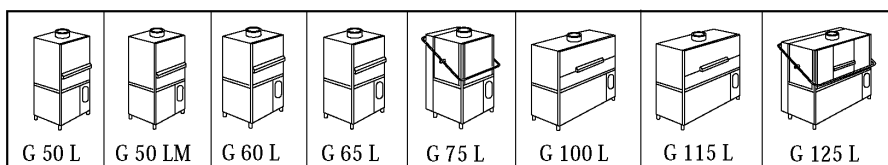
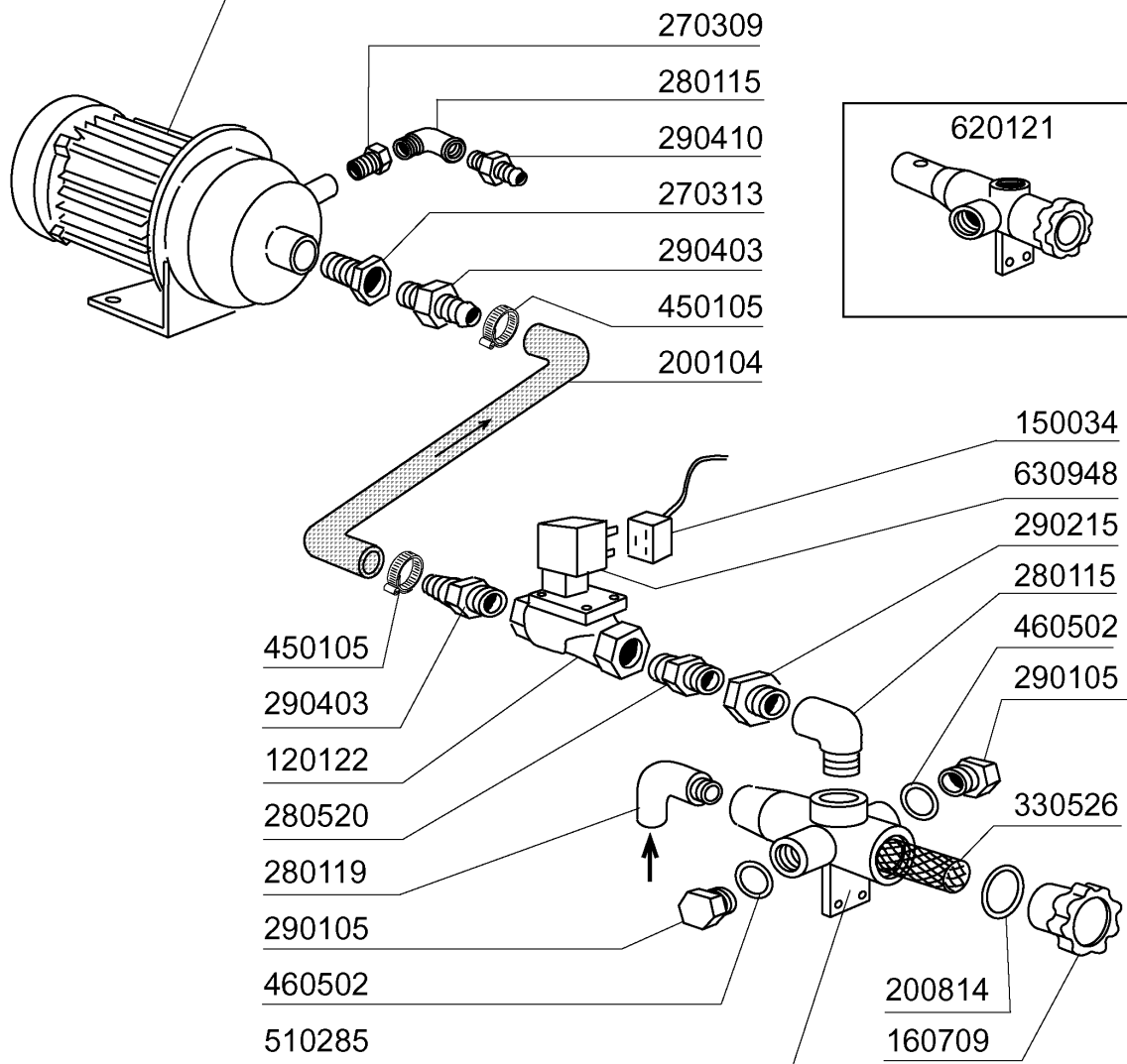
7 - Wash Tank/Pump

CODE	DESCRIPTION
200105	RUBBER HOSE 50X60
200112	RUBBER TUBE 75X83
200405	GASKET 110X100X63 IN NEOTEN
200448	GASKET 100X100X3 HOLE D.76
331553	INLET ELBOW FOR NG-GL WASH PUM
331578	DELIVERY ELBOW FOR G75 WASH PU
331580	INLET ELBOW FOR G75 WASH TANK
331618	SUCTION HOSE WITH FLANGE FOR G
331696	ELBOW FOR WASH COLUMN G115-125
331697	ELBOW FOR WASH COLUMN G
450109	CLAMP 50-65
450113	STAINL.STEEL CLAMPS D.83

8 - Wash and rinse

CODE	DESCRIPTION
110349	HEAT.ELEMENT 6000W 230/400V
110362	HEAT.ELEMENT 9000W 220/380V
160201	ELBOW F.TANK INLET MOPLN
161102	ELEMENT COVER MOPL.
161301	AIR TRAP F2 C34-F45
180102	DRAIN PIPE NUT 1"1/2 F45-55
180413	TEE NIPPLE D.11,5 - RINSE ASSE
200113	RUBBER HOSE 12 X 22
200353	PRESS.SWITCH HOSE B23-10-1-2-C
200410	DRAIN OUTL.WASH.1 1/2"65X47X2
200412	GASKET DRAIN 11/2" 45X33X3
200415	AIR TRAP GASKET -F2 18,5X10X3
200815	O-RING F. HEAT.ELEM.
270101	HEXAGON LOCK NUT 1/2"
270104	LOCK NUT 1" 1/2
270408	DRAIN OUTLET S/S FOR G75-125 D
330336	BOILER G115-G75
341473	TANK
380825	OVERFLOW PIPE S/S 510MM FOR G7
450104	CLAMP FE ZN H=12,5 15-24
450125	ELASTIC CLAMP D. 10,4X9,8
450516	THERMOSTAT SHIELD FOR 2 TERMOS
460502	GASKET 30X21X2

☞ tav. 24

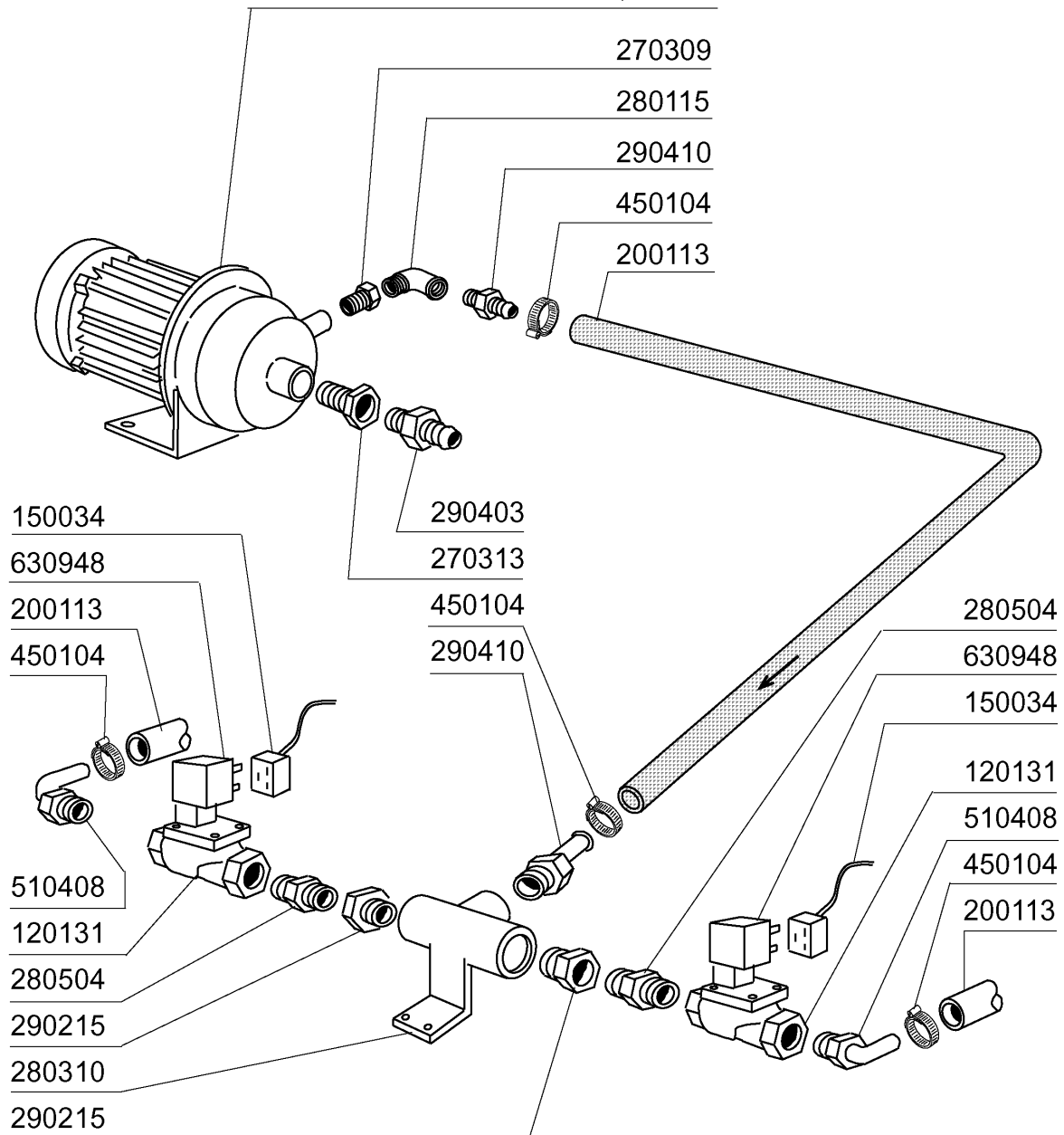


02 - 2002 | S.A.G.

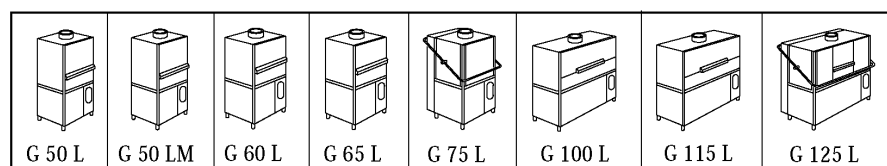
9 - Solenoid valve rinse pump

CODE	DESCRIPTION
120122	SOLENOID VALVE 3/4 24V L180Q17
150034	CONNEC.F.SOLEN.VALVE 122.09.N
160709	KNOB OF MANIFOLD F. SOLEN. VAL
200104	DISCHARGE HOSE 20X30
200814	O-RING 34,52X41,58X3,53
270309	CONNECTION 1"-1/2"
270313	CONNECT.1 1/4" - 3/4"
280115	ELL 1/2"
280119	ELL MF 3/4"
280520	CONNECTION 3/4"
290105	BRASS-TE-PLUG 1/2"
290215	1/2"BSP M/F UNION BRASS
290403	NIPPLE M.3/4" BRASS
290410	NIPPLE 1/2"
330526	FILTERS 22X28 SOLENOID V.MANIF
450105	CLAMP FE ZN. 26-38 H=12,2
460502	GASKET 30X21X2
510285	SOLENOID VALVE MANIFOLD - BRAS
620121	TWIN SOLENOID VALVE MANIFOLD
630948	COIL Z610A 24V 50/60-L180V01

☞ tav. 24

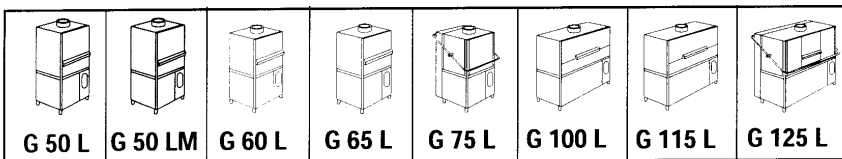
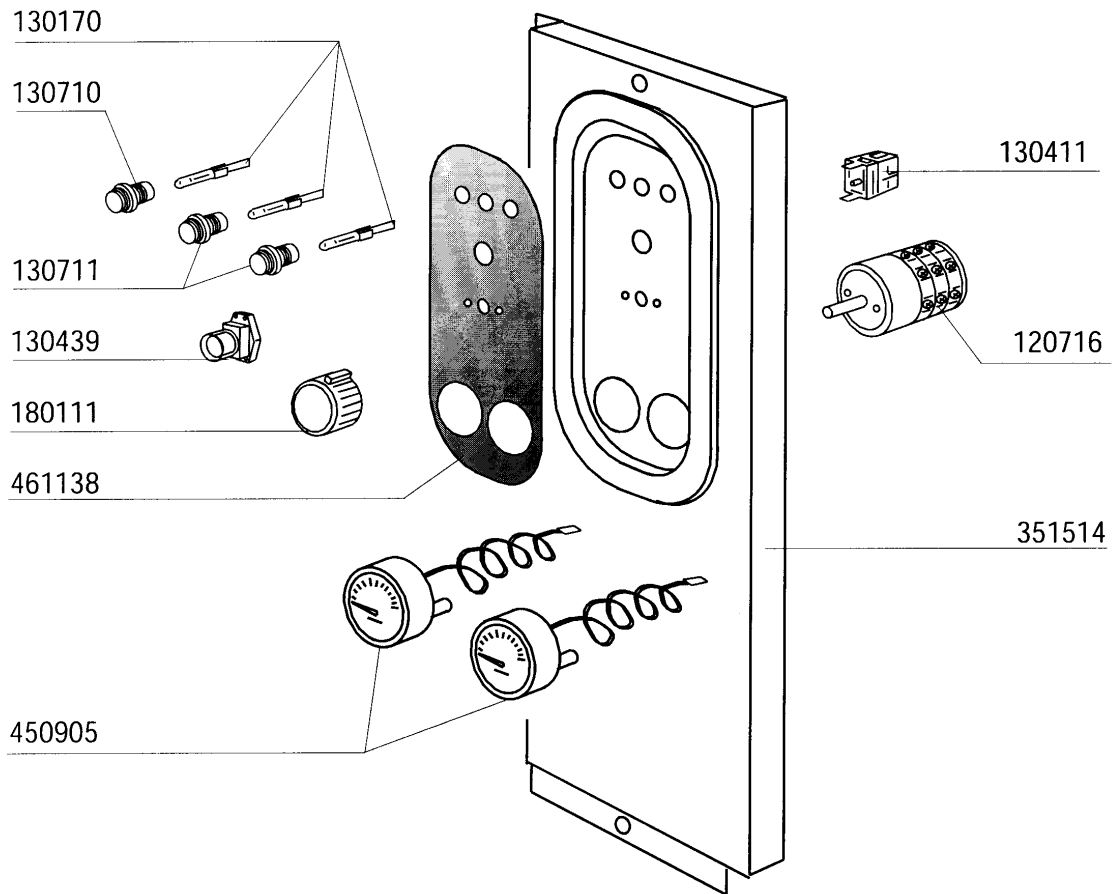


02 - 2002 | S. AG.



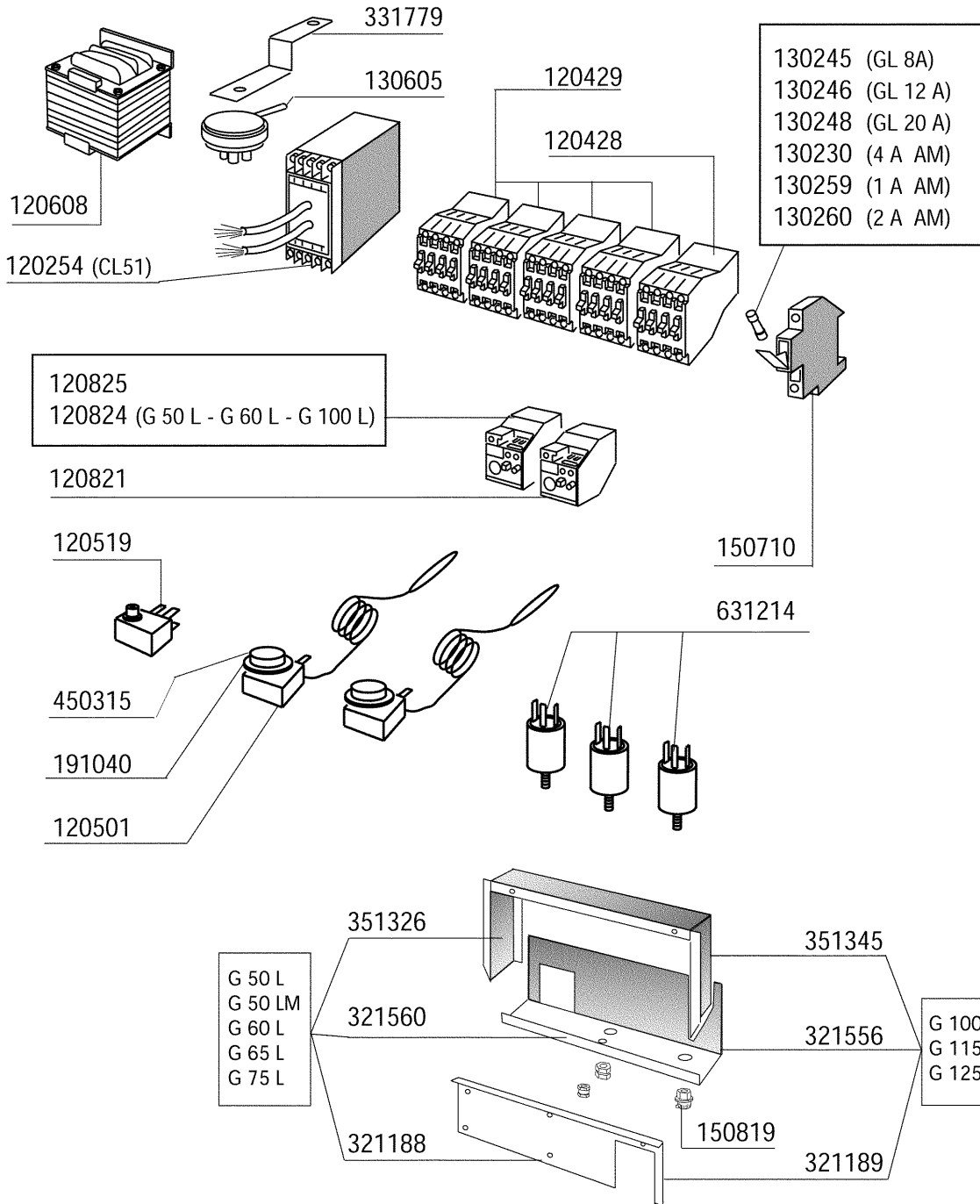
10 - Rinse solenoid valve

CODE	DESCRIPTION
120131	SOLEN. L182Q31-ZB10A 1/2"24V
150034	CONNEC.F.SOLEN.VALVE 122.09.N
200113	RUBBER HOSE 12 X 22
270309	CONNECTION 1"-1/2"
270313	CONNECT.1 1/4" - 3/4"
280115	ELL 1/2"
280310	TEE-CONNECTION 1/2"
280504	MANIFOLD CONN.HOSE
290215	1/2"BSP M/F UNION BRASS
290403	NIPPLE M.3/4" BRASS
290410	NIPPLE 1/2"
450104	CLAMP FE ZN H=12,5 15-24
510408	CONNECTION 90° 1/2"
630948	COIL Z610A 24V 50/60-L180V01

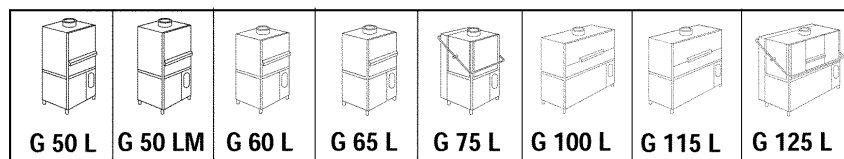


11 - Control panel

CODE	DESCRIPTION
120716	6 POLES SWITCH 16A
130170	LAMP 24V
130411	START CONTACT YELLOW
130439	GREEN PUSH BUTTON RM122
130710	RED COVER FOR LAMP
130711	GREEN COVER FOR LAMP
180111	BLACK KNOB
351514	FRONT PANEL
450905	CAPIL.THERMOMETER D.52 1,5M
461138	PLATE GL-SERIE

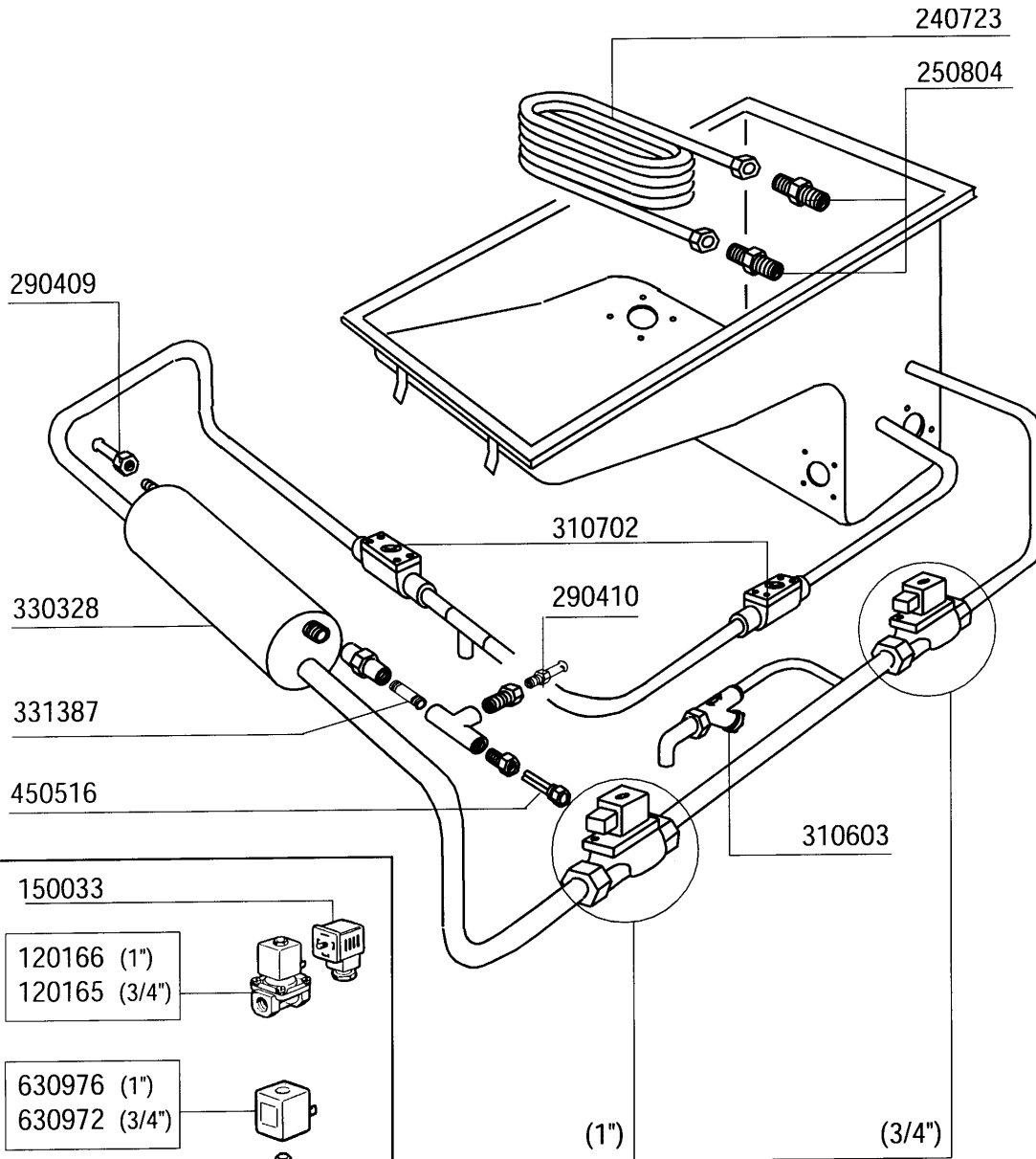


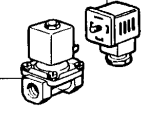
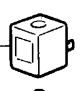

06 - 2000 | F.A. 01

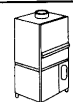
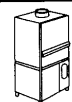
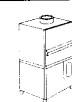
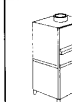
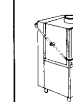





12 - Control Box

CODE	DESCRIPTION
120254	ELECTRONIC TIMER 2 RELAY CL51
120428	CONTACTOR 9A 24V 50HZ
120429	CONTACTOR 12A 24V 50HZ
120501	THERMOSTAT 30/90°C
120519	SECURITY THERMOSTAT 95-125°C
120608	TRANSFORMER 150VA220-240-380-4
120821	OVERLOAD RELAY 1/1,6A
120824	OVERLOAD RELAY 4/6 A
120825	OVERLOAD RELAY 5,5/8 A
130230	FUSE 10,3X38 4A AM13004
130245	FUSE 10.3X38 8A GF13308
130246	FUSE 10.3X38 12A GF13312
130248	FUSE 20A-10,3X38 13320 G.F.
130259	FUSE 10,3X38 1A AM 13095
130260	FUSE 10,3X38 2A AM 13001
130605	PRESSURE SWITCH 50-30 1 LEVEL
150710	FUSE CARRIER 10,3X38 ART.21401
150819	CABLE HOLDER PG16 WITH HOLE
191040	FRAME F.THERMOSTAT KNOB
321188	COVER
321189	COVER
321556	SUPPORT
321560	SUPPORT
331779	PRESSURE SWITCH BRACKET
351326	PANEL
351345	PANEL
450315	KNOB F. THERMOSTAT 90°C
631214	ANTI-NOISE FILTER 4011135007 3



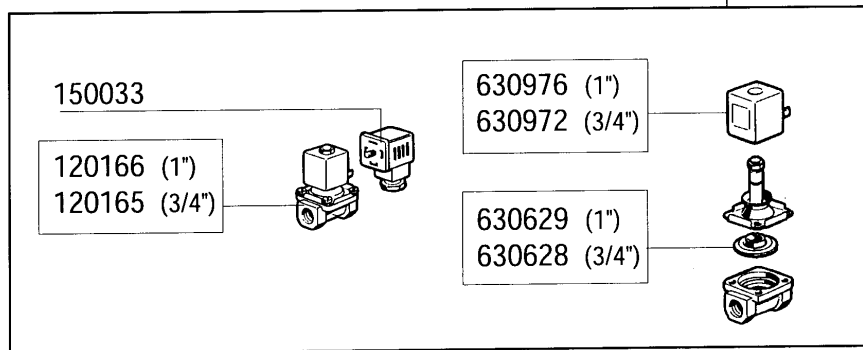
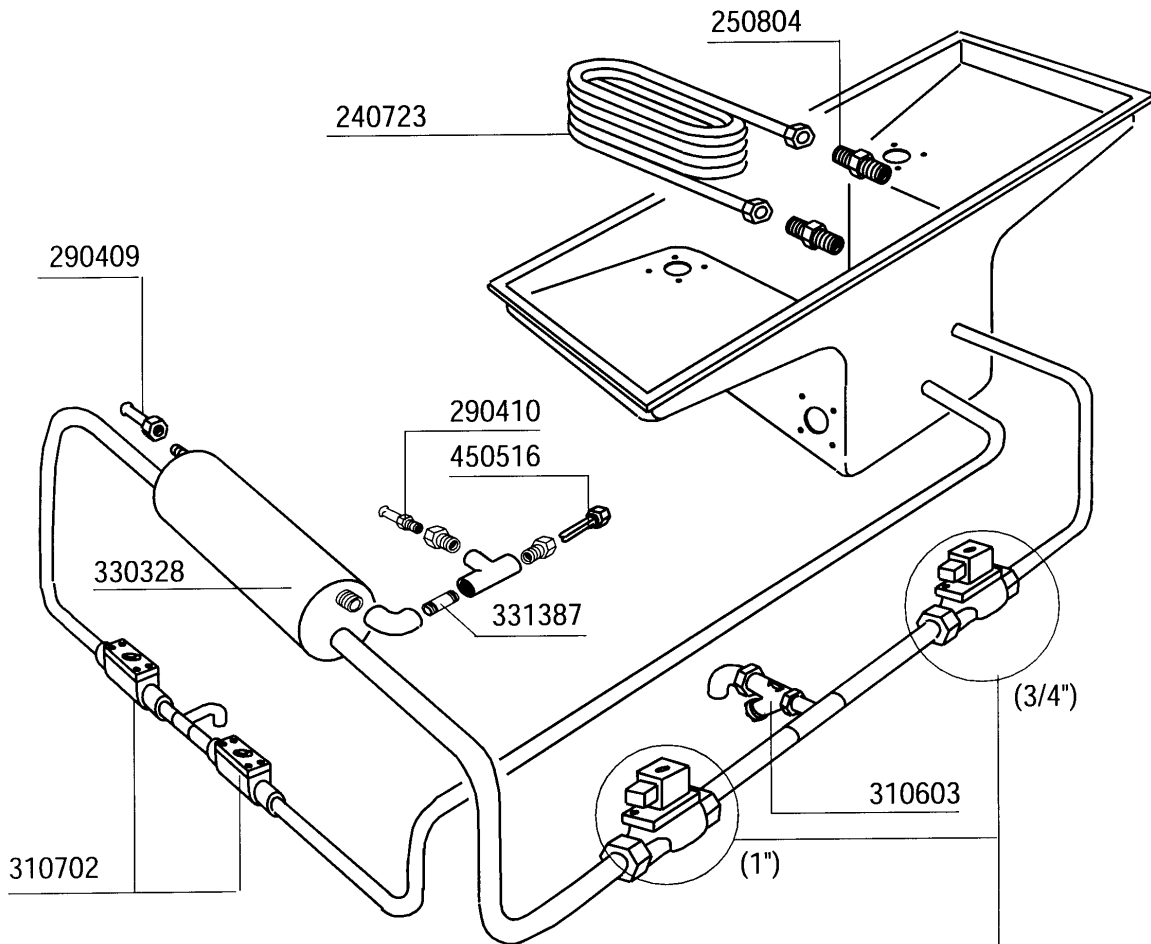
- 150033
- 120166 (1")
 - 120165 (3/4")
- 
- 630976 (1")
 - 630972 (3/4")
- 
- 630629 (1")
 - 630628 (3/4")
- 

							
G 50 L	G 50 LM	G 60 L	G 65 L	G 75 L	G 100 L	G 115 L	G 125 L

1 - 7 - 98 F.A.

13 - Steam Version

CODE	DESCRIPTION
120165	SOLE.N.VALVE ST.24V50HZ 3/4"
120166	STEAM SOLE.N.VALVE 1" 24V-50
150033	CONNEC.F.SOLEN.VALVE 182.09.N
240723	STEAM COIL 12.000KCAL "GL"
250804	NIPPLES FOR STEAM COIL
290409	NIPPLE 3/4"
290410	NIPPLE 1/2"
310603	STRAINERS JU 1" MOD.45
310702	STEAM TRAP 1/2" MK 25/3
330328	STEAM BOILER G
331387	HOSE 3/4"
450516	THERMOSTAT SHIELD FOR 2 TERMOS
630628	KIT F.SOLEN.V.L153D1 3/4"
630629	KIT SOLENOID VALVE 1" STEAM L1
630972	COIL Z534A/V.24-L145A-3/4
630976	COIL Z114A/V24/50HZ L153-1"



G 50 L	G 50 LM	G 60 L	G 65 L	G 75 L	G 100 L	G 115 L	G 125 L

1 - 7 - 98 F.A.

14 - Steam Version

CODE	DESCRIPTION
120165	SOLE.N.VALVE ST.24V50HZ 3/4"
120166	STEAM SOLE.N.VALVE 1" 24V-50
150033	CONNEC.F.SOLEN.VALVE 182.09.N
240723	STEAM COIL 12.000KCAL "GL"
250804	NIPPLES FOR STEAM COIL
290409	NIPPLE 3/4"
290410	NIPPLE 1/2"
310603	STRAINERS JU 1" MOD.45
310702	STEAM TRAP 1/2" MK 25/3
330328	STEAM BOILER G
331387	HOSE 3/4"
450516	THERMOSTAT SHIELD FOR 2 TERMOS
630628	KIT F.SOLEN.V.L153D1 3/4"
630629	KIT SOLENOID VALVE 1" STEAM L1
630972	COIL Z534A/V.24-L145A-3/4
630976	COIL Z114A/V24/50HZ L153-1"

630518
 631661 Ø 122
 200848
 630128

100698 220/240 - 380/415 50 Hz
 100705 220/240 - 380/415 60 Hz
 100699 255/440 60 Hz

HP 0,75 / Kw 0,55 **(CEA 120/2)**

630529

631661 50 Hz Ø 122
 631696 60 Hz

200848
 630128

100789 220/240 - 380/415 50 Hz
 100792 220/240 - 380/415 60 Hz
 100793 255/440 60 Hz

HP 0,75 / Kw 0,55 **(CEA 120/2/A)**

630520

631693 50 Hz Ø 116
 631694 60 Hz Ø 90

200948
 460526
 460525

100697 220/240 - 380/415 50 Hz
 100709 220/240 - 380/415 60 Hz

HP 4 / Kw 3 **(SHE 50)**

15 - Pump

CODE	DESCRIPTION
100697	PUMP HP 4 230/400/50 SHE 50
100698	PUMP HP 0,75-CEA120 (100789)
100699	PUMP 1HP 255/440 60HZ CE1206/1
100705	PUMP HP0,75 220-380 60H(100792)
100709	PUMP HP 4 220/380/415V 60HZ
100789	PUMP HP 0,75 220/415V
100792	PUMP HP 0,75 220/415
100793	PUMP HP 0,75
200848	O-RING FOR PUMP 0,75 HP CEA 12
200948	OR GASKET
460525	GASKET INLET ELBOW WASH PUMP
460526	GASKET DELIVERY ELBOW WASH P.
630128	PUMP VOLUTE 0,75HP CEA120/2
630518	PUMP SEAL HP0,75 CE120
630520	PUMP SEAL HP4-HTE50E
630529	SEAL FOR PUMP HP0,75 CEA120/2A
631661	IMPELLER PUMP 0,75HP LOW.CE120
631693	IMPELLER FOR PUMP 100697
631694	IMPELLER
631696	IMPELLER 60HZ FOR PUMP 100792